

KTW NovoDoser LP 2000DSC

A new generation liquid nitrogen doser with frost-free operation, food-grade austenitic stainless-steel material, hygienic wash-down design in compliance with stringent HACCP requirements.

Specifications

- ✓ Discrete dosing up to 2000 CPM
- ✓ Controller with Siemen S7-1200 PLC platform
- ✓ NEMA 4X IP65 stainless steel enclosure
- ✓ HMI comes with TFT color touchscreen
- ✓ Minimum dose duration 5ms
- ✓ Accurate dose weight $\pm 1\%$
- ✓ No container - No dose function
- ✓ Smart-maintenance to allow users to plan the maintenance schedule
- ✓ Direct LN2 feed pressure up to 2,0 bar
- ✓ ModBus user interface
- ✓ Alarm log to assist system troubleshooting and performance monitoring
- ✓ Recipe storage of 10 recipes or more
- ✓ 316L material construction with higher corrosion resistance
- ✓ HS Pneumatic Hygienic Dosing Head wash-down design, IP65-rated sensors & electrical cables

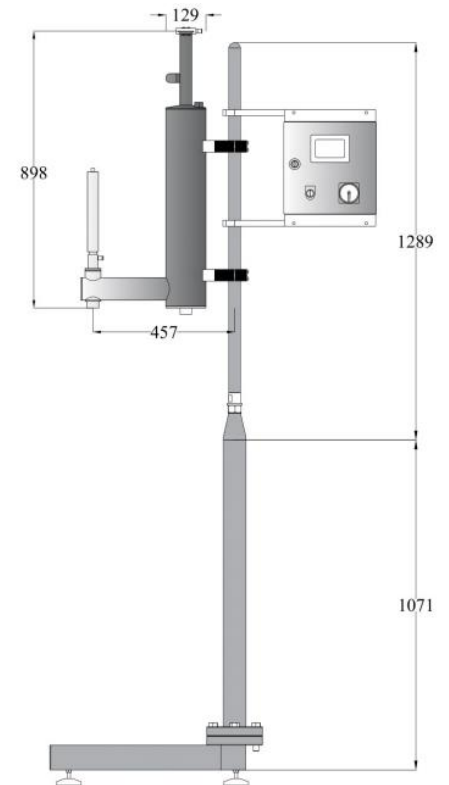


Ergonomic Features & Benefits

- ✓ **Frost-free Nozzle** – Self-generating GN2 for dosing head blanketing
- ✓ **Lowest LN2 Consumption** – Discrete dosing, for speed up to 2000 containers per minute
- ✓ **Lowest LN2 Losses** – Proprietary vacuum insulation with lowest heat leak 0,1 LPH
- ✓ **Minimized Product Splash** – Lowest dose pressure in its class, 0,02 bar
- ✓ **Sub-cooled LN2** – Ensuring constant LN2 density for accurate dosing
- ✓ **Corrosion Resistant** – 316L material grade of construction for doser body
- ✓ **Highest Hygiene Design** – All external surface has rounded corners and sloped design for easy wash-down
- ✓ **Lowest Maintenance** – Ultra long-life cycle dosing valve > 60 million; and IP 65 rated sensors & electrical cables
- ✓ **Ease of Installation** – Compact size for easy installation in limited space
- ✓ **Applications Flexibility** – Compatible with soft-dose and micro-dose technology for hot fill, powder, and granular applications
- ✓ **5 Years Vacuum Warranty** – Lowest cost of ownership

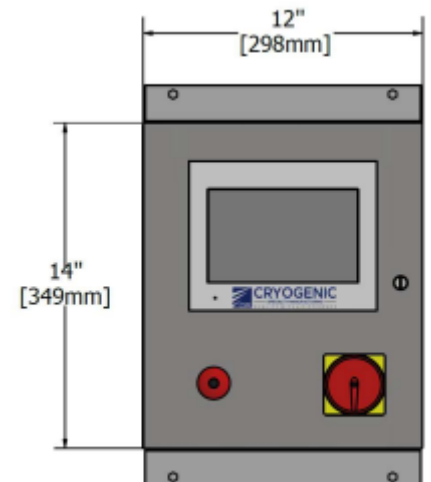
NovoDoser LP 2000DSC Dimensions

Material	Stainless Steel 300 Series
Head Pressure	0,02 bar
Nozzle Blanketing	Self Generate N2
Steady State Consumption	< 0.1 liter/hour
Body Dimension	37"H x 5"W (930 x 129mm)
Dosing Head Dimension	ES Head 14" x 2,5"W (356 x 64mm)
Dosing Head Arm Reach	18" (457mm)
Weight	14kg
Utilities:	
Liquid Nitrogen Supply	1,5 bar
Gaseous N2	4,1 – 6,9 bar
Electrical	110-220VAC



2000DSC Controller Specifications

PLC Platform	Siemens S7-1200
HMI (LCD touchscreen)	7,0" Color
Dose Duration, 1ms int.	5 to 1500 ms
Dose Volume, mg/dose	5 to 1400
Dose Accuracy	± 1%
Max. Discrete Dosing	2000 CPM
Fixed Delay	✓
Speed Compensation	✓
Dose Compensation	✓
Encoder Compatible	✓
Quick Service Purging	✓
Nozzle Pre-Cooling	Automatic
Nozzle Defrost	Automatic
User's Filler Signal Interface	Optional
Modbus RTU User Interface	✓
Mobile Remote Monitoring (Wi-Fi / Lan)	✓
Smart Maintenance	✓
Overall Equipment Effectiveness	✓
Recipe Storage	12
HS Hygienic Dosing Head	✓
Certifications	CE, IP66



Manufacturer:

Cryogenic Specialty Manufacturing
 Kuala Lumpur, Malaysia
www.csm-cryogenic.com

Authorized Distributor:

KTW Technology GmH
 Gleeser Str. 14
 56653 Wehr, Germany
www.ktwtechnology.de
 +49 263 680 7773

Get in touch:

KTW Technology GmbH
 Markus König
mk@ktwtechnology.de
 +49 172 161 6509